

SEAFLO®

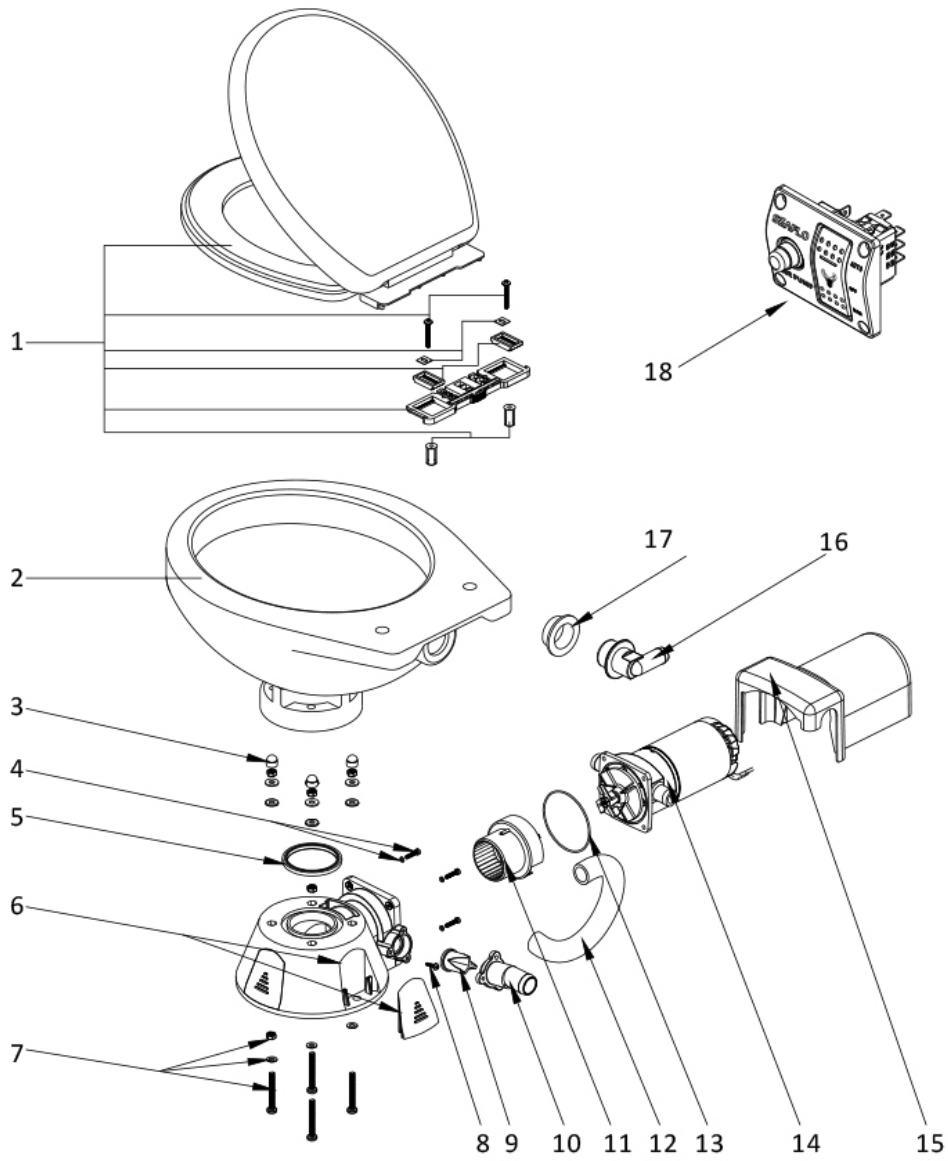
ELECTRIC 12V/24V **MARINE TOILET**

-REGULAR SFMTE1-01-R / SFMTE2-01-R

A dual-function pump eliminates the need for hand pumps and dry-bowl valves. With the push of a button, the self-priming flush pump rinses the bowl as the Macerator and high-capacity scavenger pump grind up waste and pump it out. Includes a heavy-duty push button and 1" to 1 1/2" discharge hose adapter. Easy-to-clean china bowl.



DETAILED COMPOSITION

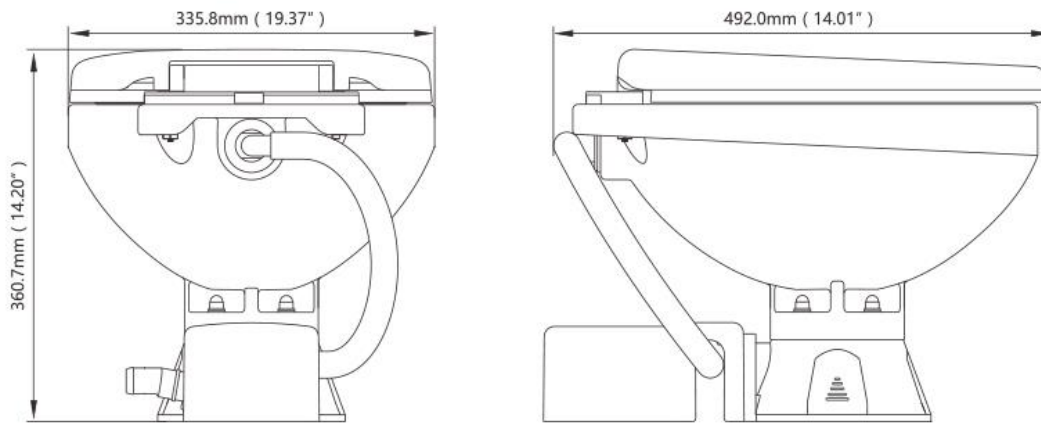


1	Cover assembly	7	Bolt assembly	13	Motor seal
2	Ceramic seat	8	Tapping screw	14	Motor assembly
3	Screw cap	9	Sewage rubber parts	15	Motor cover
4	Tooth screw	10	Discharge port	16	Inlet elbow
5	Seal	11	Macerator housing	17	Inlet seal
6	Base	12	Water pipe	18	push button switch

STANDARD PUMP CONFIGURATIONS

Toilet	
Model	SFMTE1-01-R / SFMTE2-01-R
Type	Electric
Control Type	Switch Panel
Max Draw	20A @12V 10A @24V
Size	Regular
Diameter	3/4" Inlet 1" Discharge
Material	Ceramic bowl, soft close seat
Dimension(L*W*H)	19.37**14.01**14.20" 492.0 * 335.8 * 360.7 mm

DIMENSIONS



Product Application



Marine



Boating



Cabins



Medical Care



Outdoor entertainment house



soft close seat

Easy-to-clean
china bowl



Left and right-handed
installations

Toilet component

interchangeable with
JABSCO marine toilet pump kit



Durable and reliable
package for safety
transportation

Features and Benefits



Convenient push-button flush.
Switch panel with fuse to make sure safe application.

- Suitable for use in above or below waterline installations
- All spare parts can be ordered individually
- Convenient push-button flush
- Permanent magnet type motor, fully enclosed, with stainless steel shaft
- Self-priming and mush function flush pump
- Includes heavy-duty push button and 1"-1/2" discharge hose adapter
- All Corrosion resistant material for marine use
- Universal connector for easy replacement