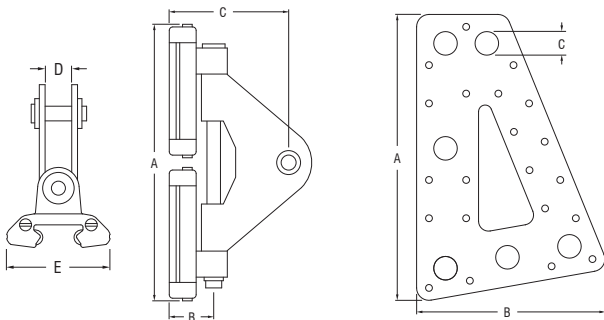
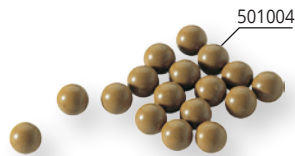
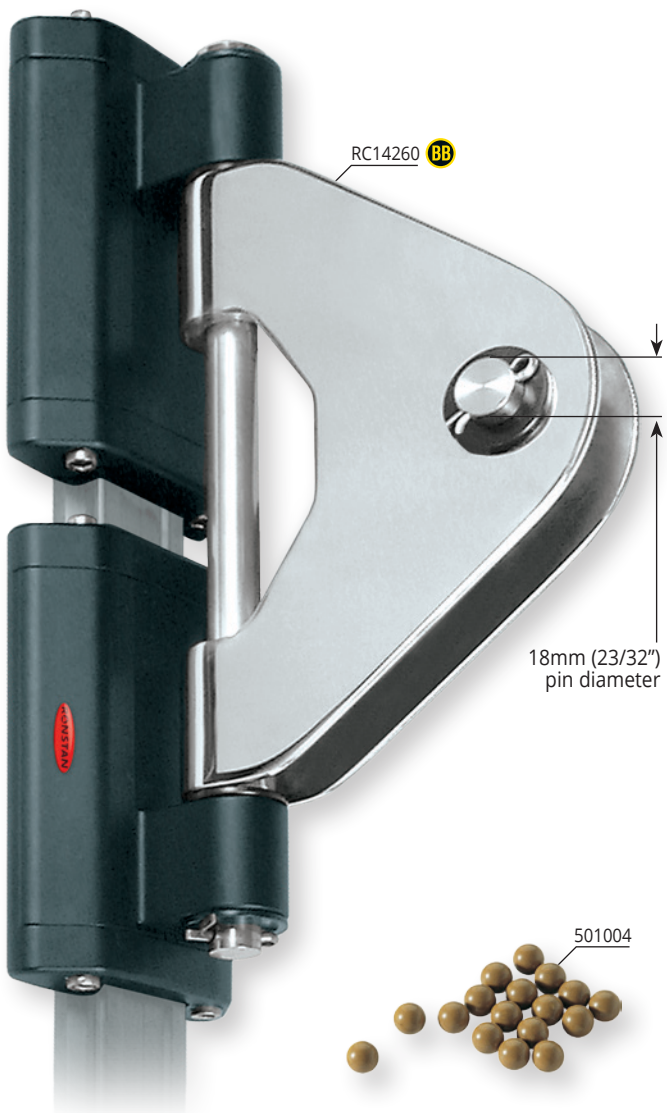


Series 42 BB

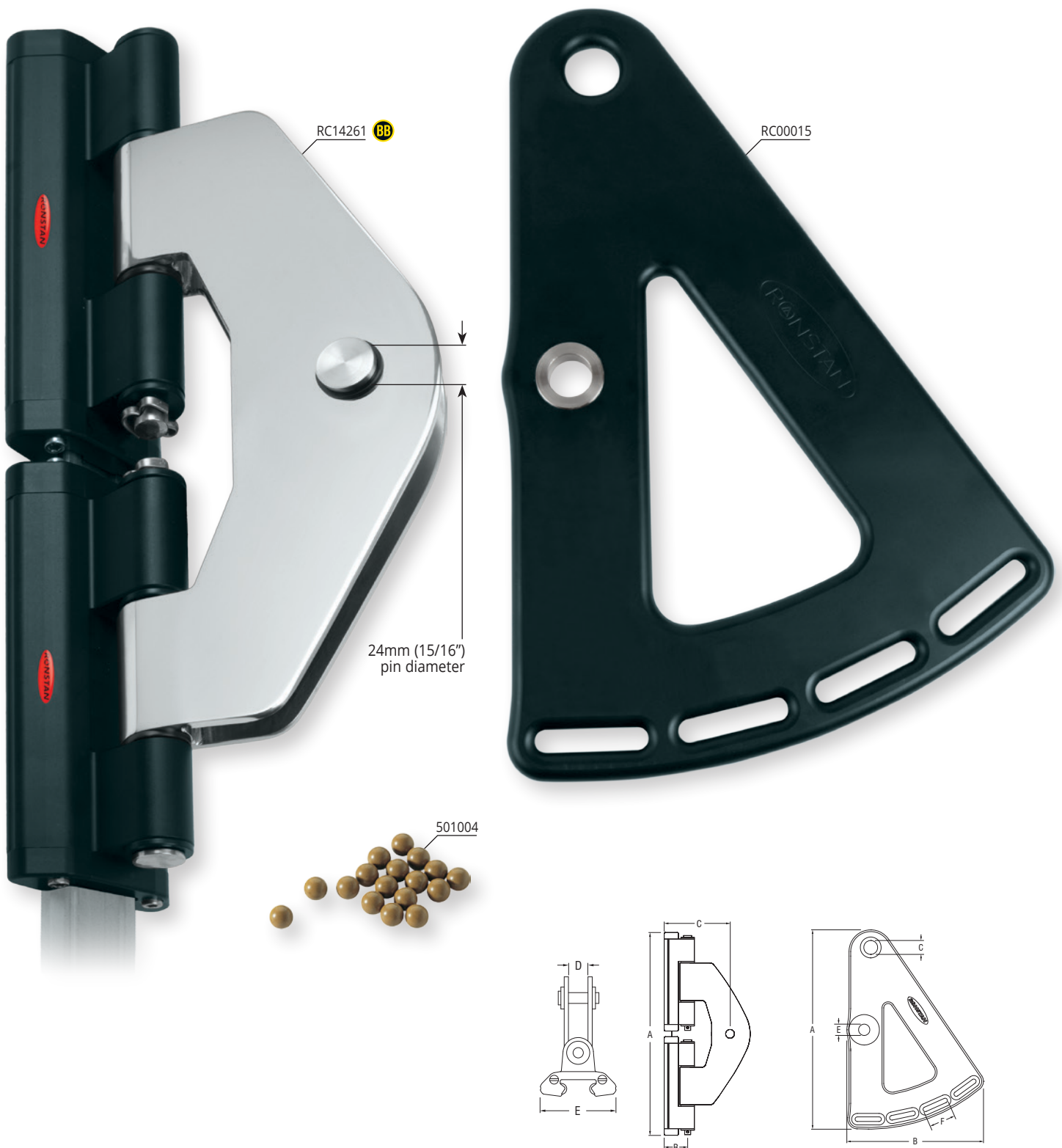


✓ Custom headboard cars, headboards and batten cars can be designed and manufactured to suit more demanding applications or individual requirements.

⚙ Monohulls to 29m (95ft) or sail area 168m² (1808ft²).

⚙ Multihulls to 22m (72ft) or sail area 125m² (1345ft²).

PRODUCT No.	DESCRIPTION	A	B	C	D	E	WEIGHT	A	B	C	D	E	WEIGHT
		mm	mm	mm	mm	mm	g	in	in	in	in	in	oz
Series 42 BB													
RC00013	Headboard plates (pair)	346	227	28	-	-	971	13 5/8	8 15/16	1 3/32	-	-	34.2
RC14260	Headboard car	335	56	152	27	96	3100	13 3/16	2 7/32	6	1 1/16	3 25/32	109.3
Spare Parts													
501004	Ball bearing, Torlon®, 9.53mm (3/8") diameter	-	-	-	-	-	1	-	-	-	-	-	0.1



✓ Custom headboard cars, headboards and batten cars can be designed and manufactured to suit more demanding applications or individual requirements.

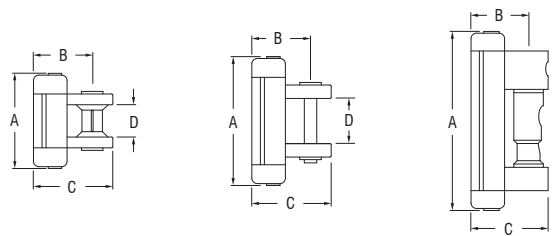
⬆ Monohulls to 34m (112ft) or sail area 310m² (3340ft²).

⬆ Multihulls to 26m (85ft) or sail area 230m² (2450ft²).

PRODUCT No.	DESCRIPTION	A	B	C	D	E	F	WEIGHT	A	B	C	D	E	F	WEIGHT
		mm	mm	mm	mm	mm	mm	g	in	in	in	in	in	in	oz
Series 42 BB															
RC00015	Headboard plate	458	313	32	-	24	50	3250	18	12 5/16	1 1/4	-	15/16	2	115
RC14261	Headboard car	438	56	150	23	96	-	5500	17 1/4	2 7/32	6	29/32	3 25/32	-	194
Spare Parts															
501004	Ball bearing, Torlon®, 9.53mm (3/8\") diameter	-	-	-	-	-	-	1	-	-	-	-	-	-	0.1



© Armare s.a.s



⚡ Monohulls to 29m (95ft) or sail area 168m² (1808ft²).

⚡ Multihulls to 22m (72ft) or sail area 125m² (1345ft²).

PRODUCT No.	DESCRIPTION	A	B	C	D	WEIGHT	A	B	C	D	WEIGHT
		mm	mm	mm	mm	g	in	in	in	in	oz
Series 42 BB											
RC14263	Intermediate car	85	56	71	25	420	3 11/32	2 7/32	2 13/16	1	14.8
RC14269	Quick release batten car	165	56	71	-	1035	6 1/2	2 7/32	2 13/16	-	36.5
RC14272	Reef car	170	56	71	52	1135	6 11/32	2 7/32	2 13/16	2 1/16	40.0
Spare Parts											
601369	Replacement pin for RC14263	-	-	-	-	18	-	-	-	-	0.6
RC00023	Replacement bush for RC14263	-	-	-	-	3	-	-	-	-	0.1